

## Spring cotter pins

Steel / Stainless Steel

### SPECIFICATION

#### Types

- Type **E**: with single winding
- Type **D**: with double winding

#### Version in Steel ST

zinc plated, blue passivated

#### Version in Stainless Steel NI

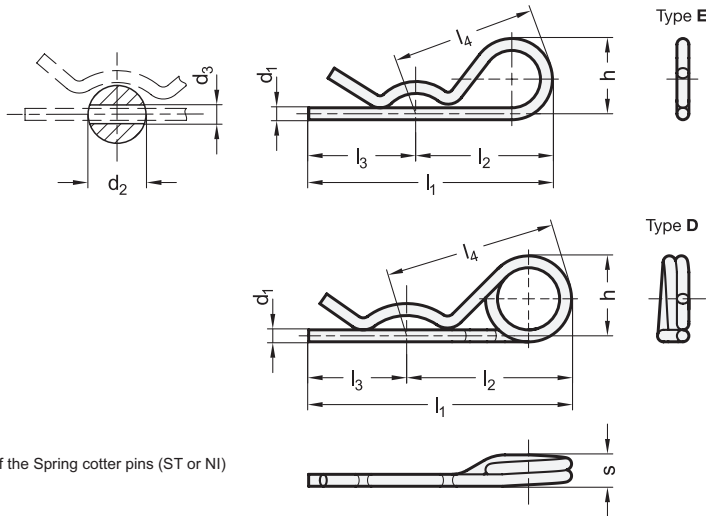
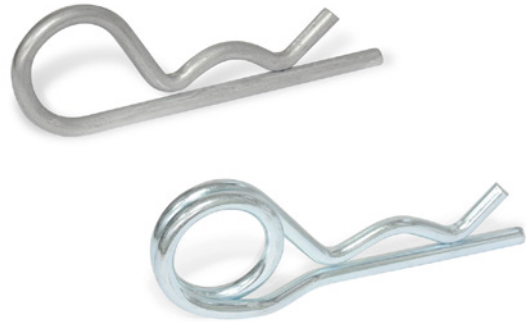
AISI 303

### INFORMATION

Spring cotter pins GN 1024 are used for the axial fixing of bolts and axes and as distortion guard, e.g. for crown nuts DIN 935. Owing to their double winding, spring cotter pins of Type D have a flatter spring characteristic and are therefore easier to install. Also, a retaining rope including a key ring can be attached to the double winding to safeguard the spring cotter pins against loss.

### TECHNICAL INFORMATION

- Stainless Steel characteristics (see page A26)



\* Complete with material index of the Spring cotter pins (ST or NI)

<b>ST</b>	<b>NI</b>
Steel	Stainless Steel

### GN 1024

**STAINLESS STEEL**

Description	d1	d2	d3	h	l1	l2	l3	l4	s	Load in N ≈ Mounting	Load in N ≈ Dismantling	Load in N ≈ for bolt Ø	⚖️
GN 1024-*1,5-E	1,5	7 ... 12	2	9	45	25	20	25	-	9	8	8	1
GN 1024-*2-E	2	9 ... 14	2,5	13	57	32	25	34	-	14	9	12	3
GN 1024-*3-E	3	10 ... 16	3,5	23	72	42	30	44	-	55	40	16	9
GN 1024-*4-E	4	16 ... 20	4,5	27	74	44	30	48	-	210	170	20	17
GN 1024-*5-E	5	20 ... 28	5,5	32	102	57	45	61	-	280	210	25	34
GN 1024-*6-E	6	28 ... 40	6,5	42	126	73	53	77	-	240	150	30	60
GN 1024-*2-D	2	8 ... 14	2,5	14	56	31	25	33	5,5	10	9	12	4
GN 1024-*3-D	3	14 ... 20	3,5	22	73	43	30	47	8	35	28	16	12
GN 1024-*4-D	4	17 ... 24	4,5	32	94	58	36	62	10,5	50	35	20	29
GN 1024-*5-D	5	18 ... 30	5,5	35	110	70	40	73	13,5	100	95	25	53
GN 1024-*6-D	6	24 ... 36	6,5	41	142	85	57	90	16	190	125	30	93
GN 1024-*7-D	7**	26 ... 40	7,5	42	152	92	60	96	19	350	210	40	135

\*\* only available in steel

